

#### Features

- Two-piece design
- Round-front bowl offers an ideal solution for smaller bathrooms and powder rooms
- 1.6 gpf (6.0 lpf)
- Left-hand Polished Chrome trip lever
- Combination consists of the K-4468 tank and the K-4197 bowl
- Coordinates with other products in the Wellworth collection

#### Technology

- Single-flush gravity uses the force of gravity and a precision-engineered tank, bowl, and trapway to create a strong siphon during flushing
- KOHLER's canister flush valve harnesses the natural force of gravity and optimizes flushing performance
- Class Five™ flushing technology offers virtually plug-free performance and rinsing power for a clean bowl

#### Installation

- Standard 12" (305 mm) rough-in
- Three-bolt quick-connect installation
- Seat and supply line sold separately

#### Included Components

Product consists of:

4197  
4468

Additional Components:

Bolt cap accessory pack  
Tank accessory pack  
Tank cover  
Trip lever



#### Codes/Standards




ASME A112.19.2/CSA B45.1  
DOE - Energy Policy Act 1992

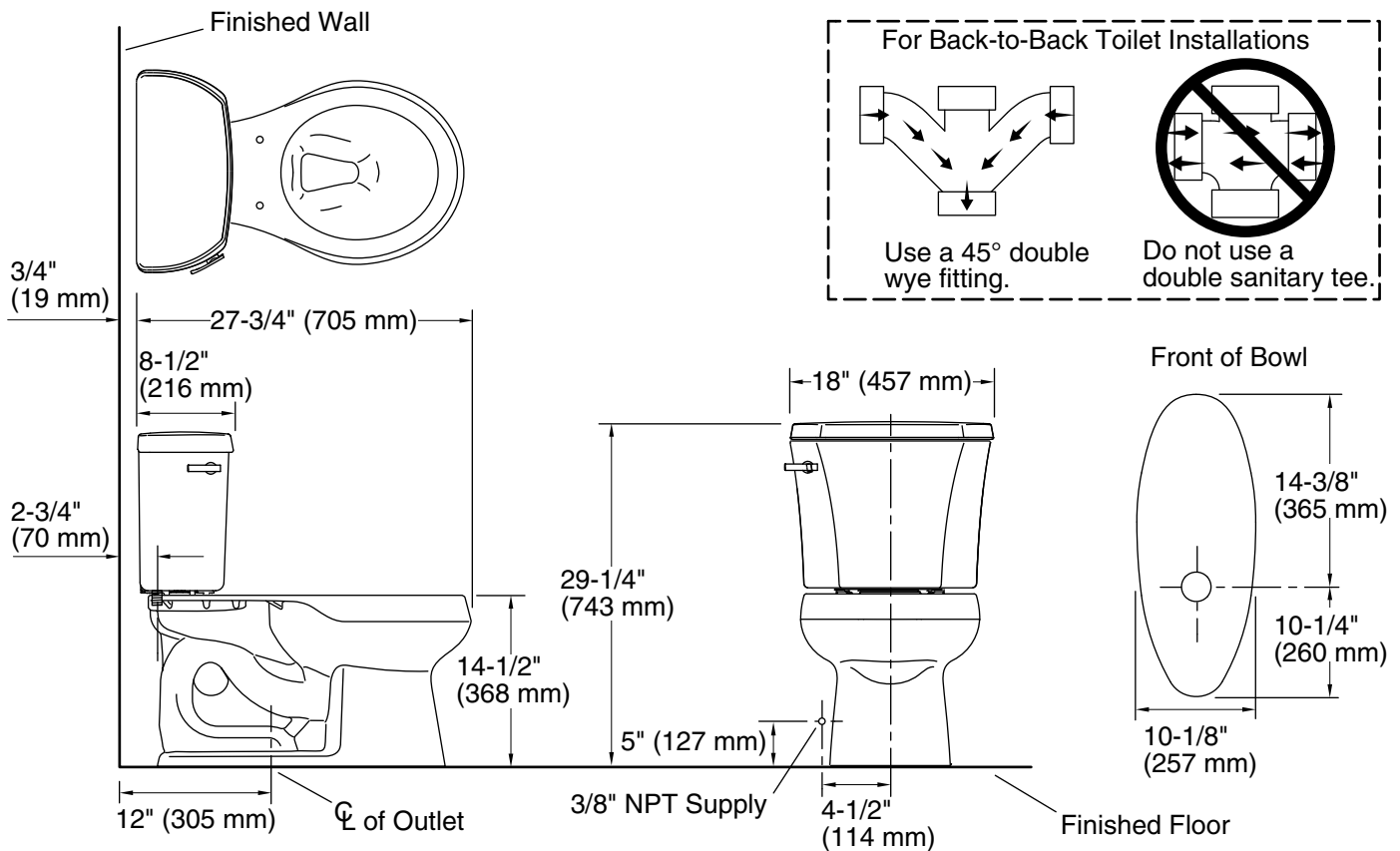
#### KOHLER® Toilets and Seats Limited Warranty

See website for detailed warranty information.

#### Available Colors/Finishes

*Color tiles intended for reference only.*

Color	Code	Description
	0	White
	96	Biscuit
	7	Black Black™



## Technical Information

All product dimensions are nominal.

Toilet type:	Floor-mount
Waste Outlet:	Floor
Bowl shape:	Round-front
Flush type:	Class Five Single-Flush
Trap passageway:	2-1/8" (54 mm)
Water surface size:	10-1/2" x 7-3/4" (267 mm x 197 mm)
Rim to water surface:	5-1/4" (133 mm)
Rough-in:	12" (305 mm)
Seat-mounting holes:	5-1/2" (140 mm)

## Notes

Install this product according to the installation instructions.

For back-to-back toilet installations: Use only a 45° double wye fitting.